

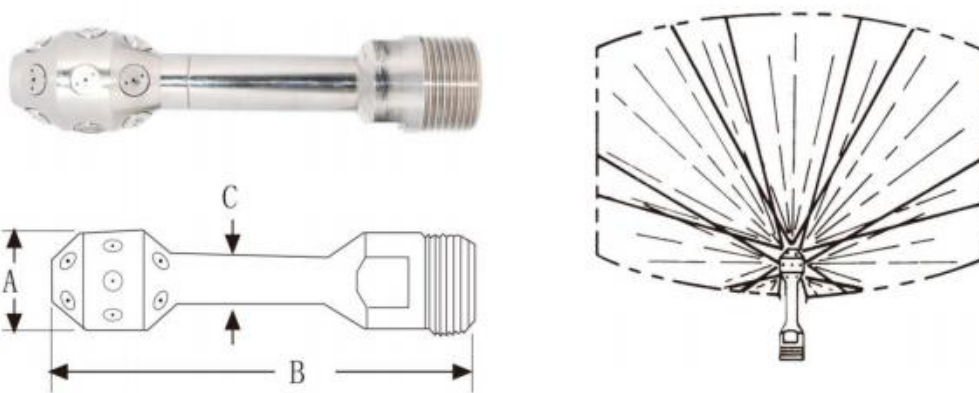
K4 Tank Washing Nozzle- 9800 model

Design features

The 9800 washing nozzle is designed for effective cleaning of small containers .

The nozzles is available in a choice of 15 or 21 full cone spray tips that can provide complete coverage of the interior surface of the small containers at pressure up to 10 bar.

The 9800 nozzle fit through a standard drum mouth .It can be installed on a self driven drum washer .The biggest diameter of the spray tip is 35mm with a 16mm reduced neck design .Constructed of SS,this nozzle is an ideal application when max. corrosion resistance is required.



Performance data

Nozzle order number	Capacity (l /min.)								
	1Bar	2Bar	3Bar	4Bar	5Bar	6Bar	7Bar	10Bar	10Bar
9800-15-SS	–	–	–	20	23	25	26	31	31
9800-21-SS	–	–	–	28	31	34	36	43	43

Diamensions and weight

Based on largest /heaviest version of each type

Nozzle serial number	9800-			
Pipe joints NPT or BSPT (male)	1 inch	Pipe joints NPT or BSPT (male)	1 inch	Net Weight (Kg)
A(mm)	35	C (mm)	16	0.51
B(mm)	156			0.51